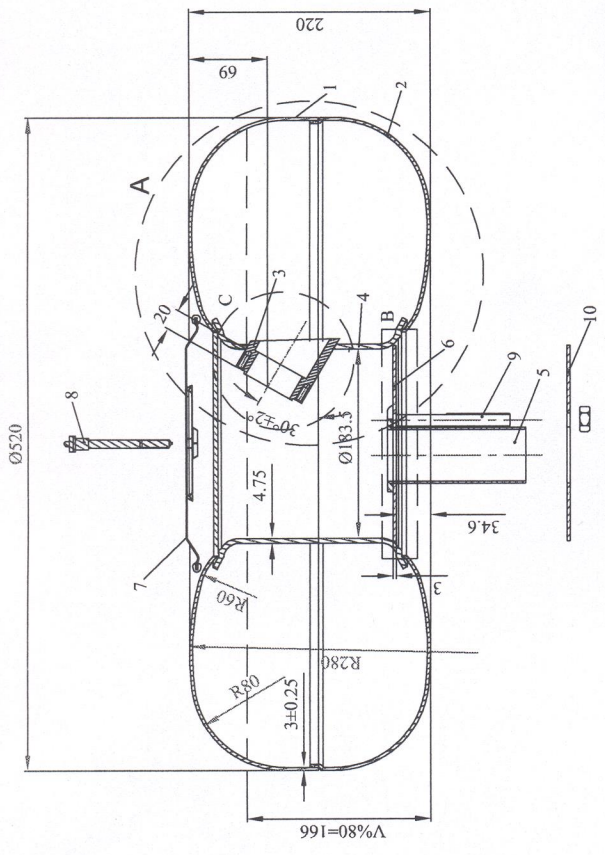
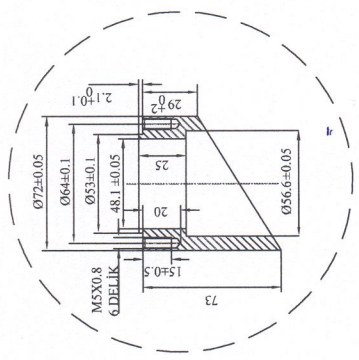


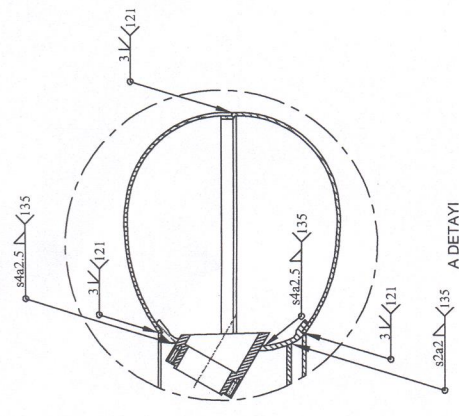
KF
95



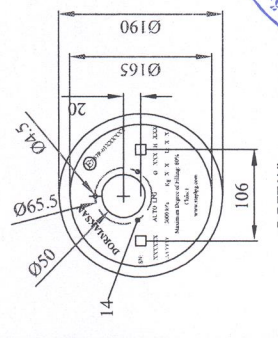
A - A KESİTİ
SECTION A-A



C DETAYI
DETAIL C



A DETAYI
DETAIL A



B DETAYI
DETAIL B

Handwritten signature

Budapest Környék
Környékvédelmi Hivatala

- Ürünler statik boyu kaplı olup boyu kalınlığı min 5mm.
- Belirtilmeyen toleranslarda uygulanacak tip ISO 22768 v tipi tolerans değerleridir.
- Belirtilmeyen toleranslarda 0.5-3 mm ölçüler için tolerans değeri ±0.25 olacaktır.
- Ürünler ECER 67 01 maddesine göre imetlenmiştir.
- Hidrolik Test : % 100.3 MPa
- Hidrolik Test : % 100.3 MPa

Tolerans Çizelgesi ISO 22768 / ISO 22768 / ISO 22768 / ISO 22768	Tolerans Çizelgesi ISO 22768 / ISO 22768 / ISO 22768 / ISO 22768	Tolerans Çizelgesi ISO 22768 / ISO 22768 / ISO 22768 / ISO 22768	Tolerans Çizelgesi ISO 22768 / ISO 22768 / ISO 22768 / ISO 22768	Tolerans Çizelgesi ISO 22768 / ISO 22768 / ISO 22768 / ISO 22768	Tolerans Çizelgesi ISO 22768 / ISO 22768 / ISO 22768 / ISO 22768	Tolerans Çizelgesi ISO 22768 / ISO 22768 / ISO 22768 / ISO 22768	Tolerans Çizelgesi ISO 22768 / ISO 22768 / ISO 22768 / ISO 22768	Tolerans Çizelgesi ISO 22768 / ISO 22768 / ISO 22768 / ISO 22768
Ölçü / Measure	Tip / Type	f	m	c	v	ç	ç	v
0.5 - 3		+0.2	+0.2	+0.4	+0.4	+0.5	+0.5	+0.7
3.01 - 6		+0.5	+0.5	+0.1	+0.1	+0.1	+0.1	+0.1
6.01 -		+1	+1	+2	+2	+2	+2	+2
30.01 - 120		+1.5	+1.5	+3	+3	+3	+3	+3
120.01 - 400		+2	+2	+5	+5	+5	+5	+5
400.01 - 1000		+3	+3	+8	+8	+8	+8	+8
1000.01 - 2000		+4	+4	+12	+12	+12	+12	+12
2000.01 - 4000		+5	+5	+18	+18	+18	+18	+18
4000.01 - 10000		+7	+7	+25	+25	+25	+25	+25

No	Sabit Plaka / Mounting Plate	1	P265 NB	00.01.ST01.006	DIN EN 10201
9	Baglama Civatası / Nut <td>2</td> <td>34C4</td> <td>00.01.ST01.005 <td>DIN EN 287-2</td> </td>	2	34C4	00.01.ST01.005 <td>DIN EN 287-2</td>	DIN EN 287-2
8	Kapak Civatası / Cap Nut <td>2</td> <td>34C4</td> <td>00.01.ST01.004 <td>DIN EN 287-2</td> </td>	2	34C4	00.01.ST01.004 <td>DIN EN 287-2</td>	DIN EN 287-2
7	Havalandırma Kapak / Breathing Cap <td>1</td> <td>6112 CRS</td> <td>00.01.ST01.003 <td>DIN EN 10130-99</td> </td>	1	6112 CRS	00.01.ST01.003 <td>DIN EN 10130-99</td>	DIN EN 10130-99
6	Baglama Plakası / Mounting Plate <td>1</td> <td>P265 NB</td> <td>00.01.ST01.002 <td>DIN EN 10201</td> </td>	1	P265 NB	00.01.ST01.002 <td>DIN EN 10201</td>	DIN EN 10201
5	Havalandırma Borusu / Breathing Pipe <td>1</td> <td>PA6 GFR 30</td> <td>00.01.ST01.001 <td>DIN EN 1043-1</td> </td>	1	PA6 GFR 30	00.01.ST01.001 <td>DIN EN 1043-1</td>	DIN EN 1043-1
4	Çift Kapak / Double Cap <td>1</td> <td>P235 TR1</td> <td>00.01.ST01.5200310.00.00 <td>DIN EN 10217-1</td> </td>	1	P235 TR1	00.01.ST01.5200310.00.00 <td>DIN EN 10217-1</td>	DIN EN 10217-1
3	Koloret / Collar <td>1</td> <td>ST 52-3</td> <td>00.01.ST01.5200310.00.00 <td>DIN EN 17100</td> </td>	1	ST 52-3	00.01.ST01.5200310.00.00 <td>DIN EN 17100</td>	DIN EN 17100
2	A11 TUB / Tube <td>1</td> <td>P265 NB</td> <td>00.01.ST01.5200310.00.00 <td>DIN EN 10120</td> </td>	1	P265 NB	00.01.ST01.5200310.00.00 <td>DIN EN 10120</td>	DIN EN 10120
1	Çift Tık / Double Pin <td>1</td> <td>P265 NB</td> <td>00.01.ST01.5200310.00.00 <td>DIN EN 10120</td> </td>	1	P265 NB	00.01.ST01.5200310.00.00 <td>DIN EN 10120</td>	DIN EN 10120
No	Parça Adı / Part Name	Adet / Qty	Malzeme / Material	Resim No / Drawing No	Standart No / Standard No
	Hızal / AIM / Mechanical Engineer				28.02.2016
	RESİM NO / Draw No:				PARCA ADI / Part
	AYRILIK / DETAY / Mechanical Drawing				05.95.03.3117
	REVİZYON NO / Revision No:				TORİDAN İNTERNAL
	AYRILIK / DETAY / Mechanical Drawing				REVİZYON TARİHİ / Revision Date
	ONAY / Approval				00
	ŞİRKET / Company:				DMS-DORMAKSAN
	BOYUT / Size:				1/6
	A3				