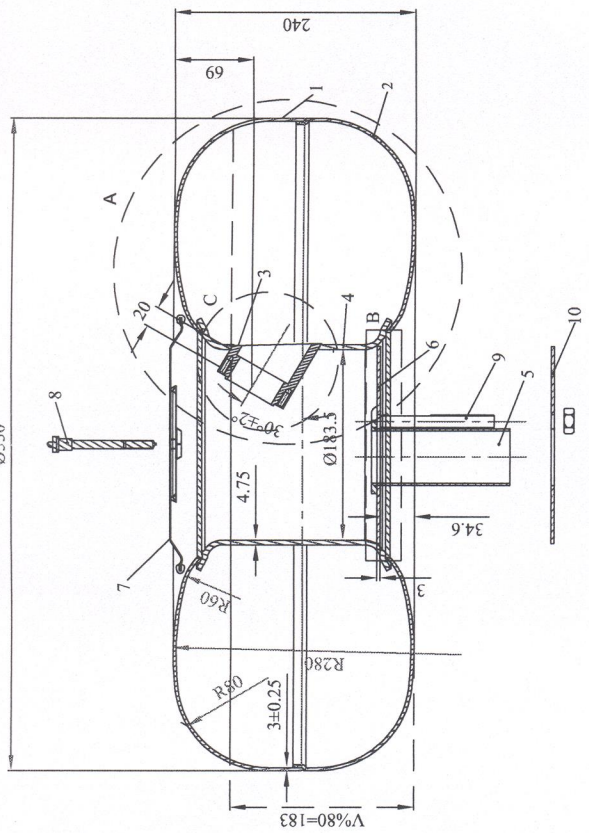
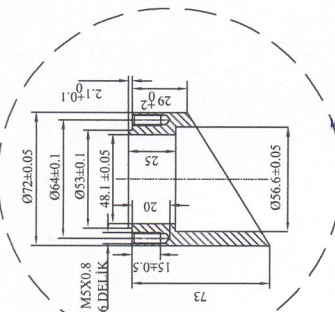


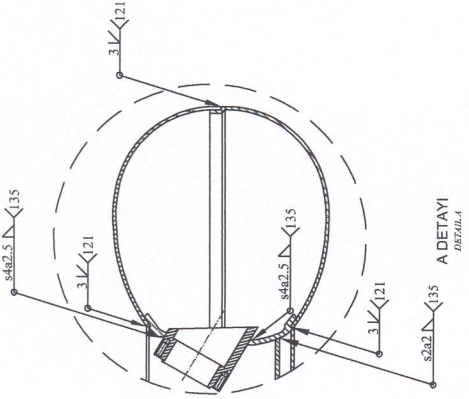
KP  
95



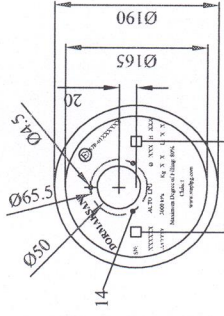
A - A KESİTİ  
SECTION A-A



C DETAYI  
DETAIL C



A DETAYI  
DETAIL A



**Budapest Központi Környezetvédelmi Hivatala**

Ürünler statik boy a kaplı olup boy a kalınlığı min 55um.

Ekstrenik statik boy a kalınlığı min 55um.

Beirlitmeyen toleranslarda uygulanacak tip ISO 22768 v tipi tolerans değerleridir.

Beirlitmeyen toleranslarda 0.5-3 mm ölçüler için tolerans değeri ±0.25 olacaktır.

Ürünler ECEC 67-01 testlerine giren ürünlerdir.

Hidrolik test : % 100 3 MPa

Hydraulic Test : % 100 3 MPa

10	Sabit Plaka Mounting Plate	1	P265 Nb	00.01.ST01.06	DIN EN 10120
9	Baglantı Civatası Mounting Screws	2	34Cr5	00.01.ST01.05	DIN EN 267 - 2
8	Kapak Civatası Cover Screws	2	34Cr5	00.01.ST01.04	DIN EN 267 - 2
7	Havalandırma Kapak Ventilation Cover	1	6112 CRS	00.01.ST01.03	DIN EN 10130-99
6	Baglantı Plakası Mounting Plate	1	P265 Nb	00.01.ST01.02	DIN EN 10120
5	Havalandırma Bonusu Ventilation Bore	1	P46 GFR 30	00.01.ST01.01	DIN EN 1043 - 1
4	Örtü İbni Cover Bore	1	P235 TR1	00.01.ST01.550420.00.00	DIN EN 10217 - 1
3	Kolpet Drip	1	ST 52 - 3	00.01.ST01.550420.00.00	DIN EN 17100
2	Alt Tabaka Bottom Layer	1	P265 Nb	00.01.ST01.550420.00.00	DIN EN 10120
1	Üst Tabaka Top Layer	1	P265 Nb	00.01.ST01.550420.00.00	DIN EN 10120
Malzeme Material		Adet Number	Resim No Drawing No	Resim No Drawing No	Standart No Standard No
Hizmet Tarihi Execution Date		TARİH Date		28.02.2016	
İmza Signature		RESİM NO Drawing No		PARÇA ADI Title	
İmza Signature		KONTROL / ONAY Check / Approval		05583240-2LT TORGUNAL İNTERNEL	
İmza Signature		ONAY Approval		REVİZYON NO Revision No	
İmza Signature		ONAY Approval		REVİZYON TARİHİ Revision Date	
ŞİRKET / Company		MİRDEN S.		BOYUT Size	
				1/6	
				A3	

Ölçü / Measure	Tip / Type	TOLERANS / TOLERANCE (TOLERANCE TABLE ISO 22768)			
		f	m	c	v
0.5 - 3	0.5 - 3	+0.2	+0.2	+0.4	+0.2
3.01 - 6	3.01 - 6	+0.5	+0.5	+0.1	+0.1
6.01 - 120	6.01 - 120	+1	+1	+2	+2
120.01 - 400	120.01 - 400	+1	+1	+2	+2
400 - 1000	400.01 - 1000	+1	+1	+2	+2
1000.01 - 2000	1000.01 - 2000	+1	+1	+2	+2
2000.01 - 4000	2000.01 - 4000	+1	+1	+2	+2
4000.01 - 6000	4000.01 - 6000	+1	+1	+2	+2
6000.01 - 8000	6000.01 - 8000	+1	+1	+2	+2
8000.01 - 10000	8000.01 - 10000	+1	+1	+2	+2
10000.01 - 15000	10000.01 - 15000	+1	+1	+2	+2
15000.01 - 20000	15000.01 - 20000	+1	+1	+2	+2
20000.01 - 30000	20000.01 - 30000	+1	+1	+2	+2
30000.01 - 40000	30000.01 - 40000	+1	+1	+2	+2
40000.01 - 50000	40000.01 - 50000	+1	+1	+2	+2
50000.01 - 60000	50000.01 - 60000	+1	+1	+2	+2
60000.01 - 70000	60000.01 - 70000	+1	+1	+2	+2
70000.01 - 80000	70000.01 - 80000	+1	+1	+2	+2
80000.01 - 90000	80000.01 - 90000	+1	+1	+2	+2
90000.01 - 100000	90000.01 - 100000	+1	+1	+2	+2
100000.01 - 150000	100000.01 - 150000	+1	+1	+2	+2
150000.01 - 200000	150000.01 - 200000	+1	+1	+2	+2
200000.01 - 300000	200000.01 - 300000	+1	+1	+2	+2
300000.01 - 400000	300000.01 - 400000	+1	+1	+2	+2
400000.01 - 500000	400000.01 - 500000	+1	+1	+2	+2
500000.01 - 600000	500000.01 - 600000	+1	+1	+2	+2
600000.01 - 700000	600000.01 - 700000	+1	+1	+2	+2
700000.01 - 800000	700000.01 - 800000	+1	+1	+2	+2
800000.01 - 900000	800000.01 - 900000	+1	+1	+2	+2
900000.01 - 1000000	900000.01 - 1000000	+1	+1	+2	+2
1000000.01 - 1500000	1000000.01 - 1500000	+1	+1	+2	+2
1500000.01 - 2000000	1500000.01 - 2000000	+1	+1	+2	+2
2000000.01 - 3000000	2000000.01 - 3000000	+1	+1	+2	+2
3000000.01 - 4000000	3000000.01 - 4000000	+1	+1	+2	+2
4000000.01 - 5000000	4000000.01 - 5000000	+1	+1	+2	+2
5000000.01 - 6000000	5000000.01 - 6000000	+1	+1	+2	+2
6000000.01 - 7000000	6000000.01 - 7000000	+1	+1	+2	+2
7000000.01 - 8000000	7000000.01 - 8000000	+1	+1	+2	+2
8000000.01 - 9000000	8000000.01 - 9000000	+1	+1	+2	+2
9000000.01 - 10000000	9000000.01 - 10000000	+1	+1	+2	+2
10000000.01 - 15000000	10000000.01 - 15000000	+1	+1	+2	+2
15000000.01 - 20000000	15000000.01 - 20000000	+1	+1	+2	+2
20000000.01 - 30000000	20000000.01 - 30000000	+1	+1	+2	+2
30000000.01 - 40000000	30000000.01 - 40000000	+1	+1	+2	+2
40000000.01 - 50000000	40000000.01 - 50000000	+1	+1	+2	+2
50000000.01 - 60000000	50000000.01 - 60000000	+1	+1	+2	+2
60000000.01 - 70000000	60000000.01 - 70000000	+1	+1	+2	+2
70000000.01 - 80000000	70000000.01 - 80000000	+1	+1	+2	+2
80000000.01 - 90000000	80000000.01 - 90000000	+1	+1	+2	+2
90000000.01 - 100000000	90000000.01 - 100000000	+1	+1	+2	+2