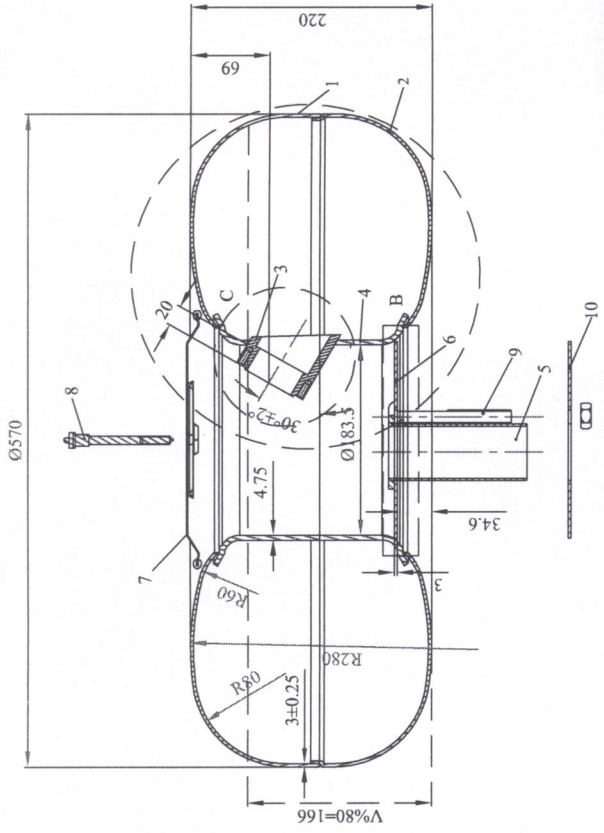
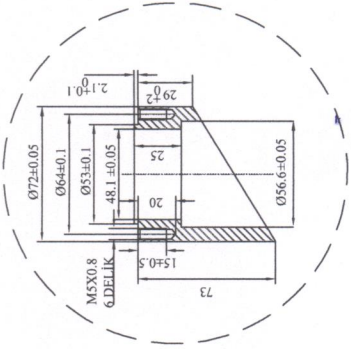


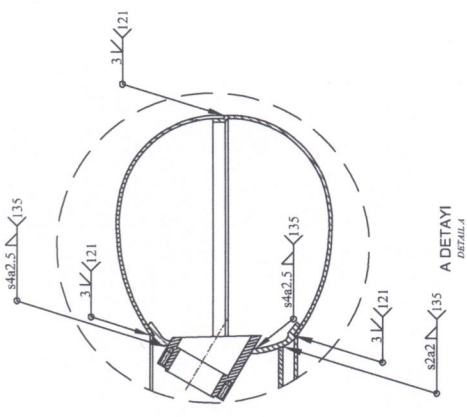
KF 93



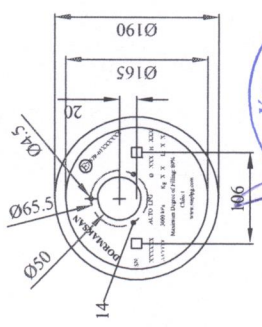
A - A KESİTİ
SECTION A - A



C DETAYI
DETAY 4



A DETAYI
DETAY 4



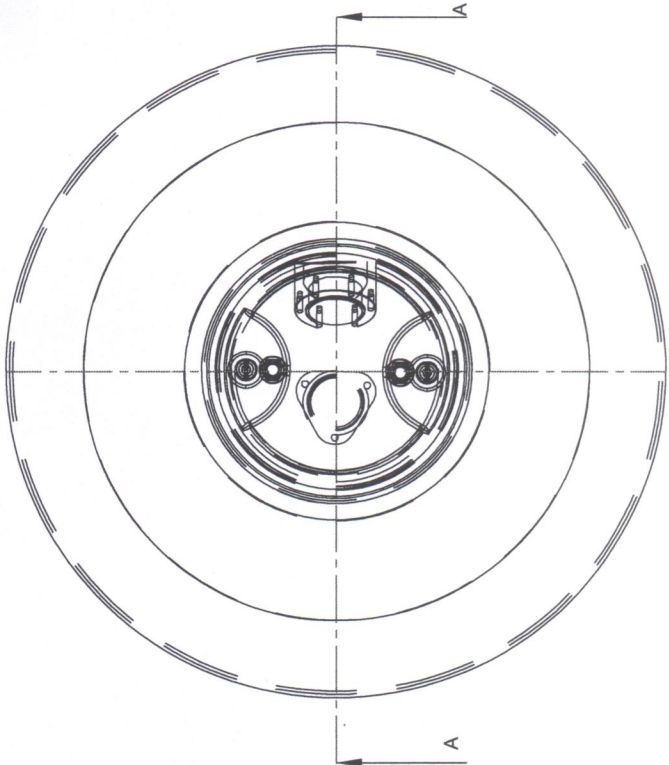
B DETAYI
DETAY 4

- Ürünler statik boyu kaplı olup boyu kalınlığı min 55µm.
- Ekstrüzyon, pasiz coating, akışkanlık eni 15µm.
- Belirtilmeyen toleranslarda uygulanacak tip ISO 22768 v tipi tolerans değerleridir.
- Tolerances, the tolerance values apply to unspecified type of ISO 22768 type v.
- Belirtilmeyen toleranslarda 0.5-3 mm ölçüler için tolerans değeri ±0.25 olacaktır.
- Tolerances, the tolerance values apply to unspecified for 0.5-3 mm, ±0.25 mm.
- Ürünler ECER 67 - 01 regülasyonuna göre üretilmiştir.
- Conformer to comply with ECER 67 - 01
- HDROLİK TEST : % 100 3 MPa
- Hydraulic Test : % 100 3 MPa



| 10 | Sabit Plaka Mounting Plate | P265 Nb | 00.01.ST01.06 | DIN EN 10120 |
|---------------------------------|---|--|--|------------------------------------|
| 9 | Bağlama Cıvatası Clamping Bolt <td>34C4</td> <th>00.01.ST01.05</th> <th>DIN EN 267 - 2</th> | 34C4 | 00.01.ST01.05 | DIN EN 267 - 2 |
| 8 | Kapak Cıvatası Cap Bolt <td>34C4</td> <td>00.01.ST01.04</td> <td>DIN EN 267 - 2</td> | 34C4 | 00.01.ST01.04 | DIN EN 267 - 2 |
| 7 | Havalandırma Kapak Gas Ventilation Cover <td>6112 CRS</td> <td>00.01.ST01.03</td> <td>DIN EN 10130 - 99</td> | 6112 CRS | 00.01.ST01.03 | DIN EN 10130 - 99 |
| 6 | Bağlama Plakası Mounting Plate <td>P265 Nb</td> <td>00.01.ST01.02</td> <td>DIN EN 10120</td> | P265 Nb | 00.01.ST01.02 | DIN EN 10120 |
| 5 | Havalandırma Bonusu Gas Ventilation Bonus <td>PA6 GFR 30</td> <td>00.01.ST01.01</td> <td>DIN EN 1045 - 1</td> | PA6 GFR 30 | 00.01.ST01.01 | DIN EN 1045 - 1 |
| 4 | Orta Boru Gas Pipe / Mounting Pipe <td>P235 TR1</td> <td>00.01.ST01.570041.00.04.00</td> <td>DIN EN 10217 - 1</td> | P235 TR1 | 00.01.ST01.570041.00.04.00 | DIN EN 10217 - 1 |
| 3 | Kolpet Ass. <td>ST 52 - 3</td> <td>00.01.ST01.570041.00.03.00</td> <td>DIN EN 17100</td> | ST 52 - 3 | 00.01.ST01.570041.00.03.00 | DIN EN 17100 |
| 2 | AH Tak Ass. / Mounting <td>P265 Nb</td> <td>00.01.ST01.570041.00.02.00</td> <td>DIN EN 10120</td> | P265 Nb | 00.01.ST01.570041.00.02.00 | DIN EN 10120 |
| 1 | Malzeme Ass. / Mounting <td>P265 Nb</td> <td>00.01.ST01.570041.00.01.00</td> <td>DIN EN 10120</td> | P265 Nb | 00.01.ST01.570041.00.01.00 | DIN EN 10120 |
| No | Parça Adı Part Name <td>Malzeme Material <td>Resim No Drawing No <td>Standart No Standard No </td></td></td> | Malzeme Material <td>Resim No Drawing No <td>Standart No Standard No </td></td> | Resim No Drawing No <td>Standart No Standard No </td> | Standart No Standard No |
| Hazır Tarih Preparation Date | | Tarih Date | | 28.02.2016 |
| İmza / Signatur | | RESİM NO / Draw. No | | PARÇA ADI / Part |
| KONTROL / Control | | 00.01.ST01.570041.00.00.00 | | 0570X220 4 LIT TORÇDAN İNTERNÜL |
| İmza / Signatur | | REVİZYON NO / Revision No | | REVİZYON TARİHİ / Revision Date |
| ONAY / Approval | | 00 | | |
| İmza / Signatur | | REVİZYON NO / Revision No | | |
| ŞİRKET / Company | | MERİDYEN A.Ş. | | BOYUT Size |
| | | DMS-DORMAKSAN | | 1/6 |
| | | | | A3 |

| TOLERANSLAR VE ÖLÇÜLER / TOLERANCES AND DIMENSIONS | | TOLERANSLAR VE ÖLÇÜLER / TOLERANCES AND DIMENSIONS | |
|--|--------------|--|------|
| Ölçü / Measure | Tip / Type | f | m |
| 0.5 - 3 | 0.5 - 3 | +0.2 | +0.4 |
| 3.01 - 6 | 3.01 - 6 | +0.5 | +0.1 |
| 6.01 - 8 | 6.01 - 8 | +1 | +2 |
| 8.01 - 10 | 8.01 - 10 | +1.5 | +3 |
| 10.01 - 120 | 10.01 - 120 | +2 | +4 |
| 120.01 - 400 | 120.01 - 400 | +3 | +6 |
| 400 - | 400 - | +4 | +8 |



A - A KESİTİ
SECTION A - A